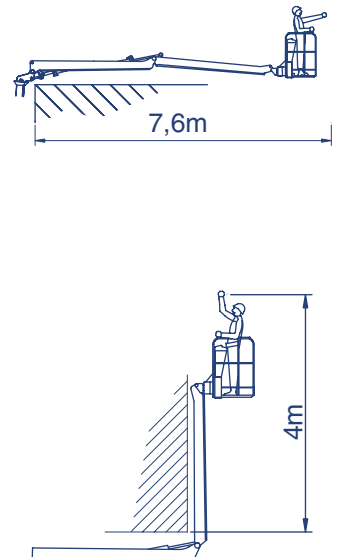
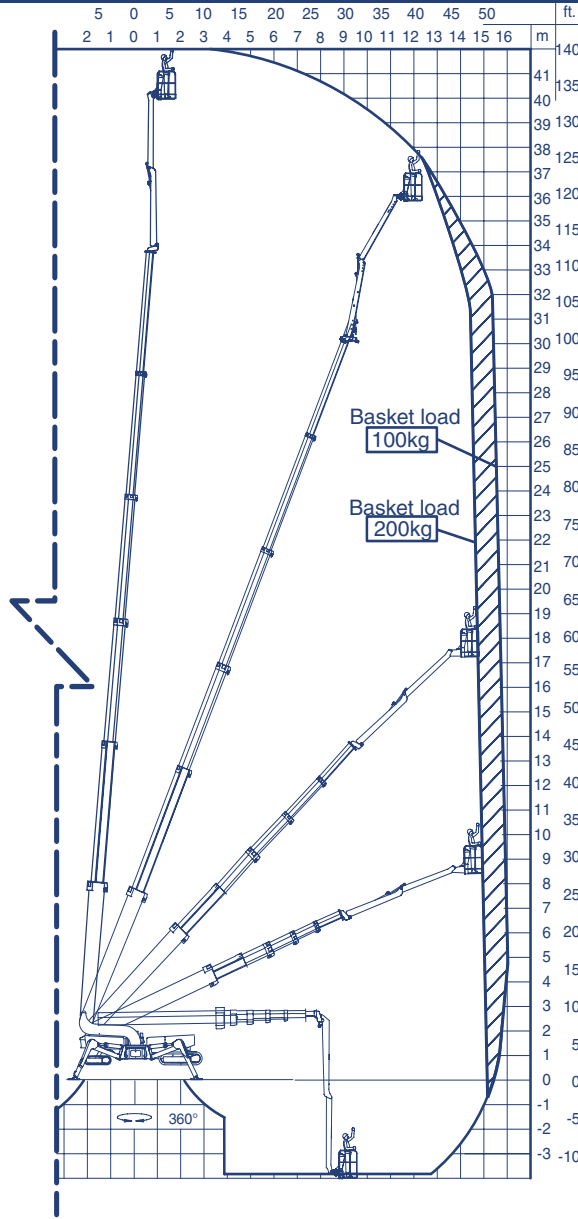
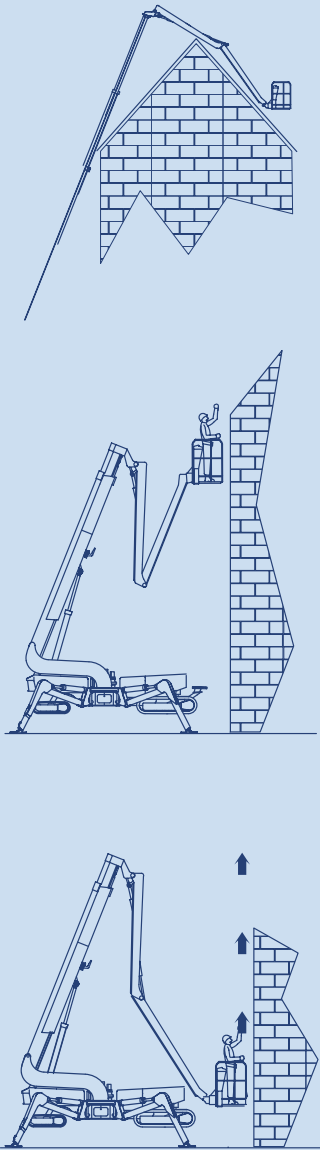


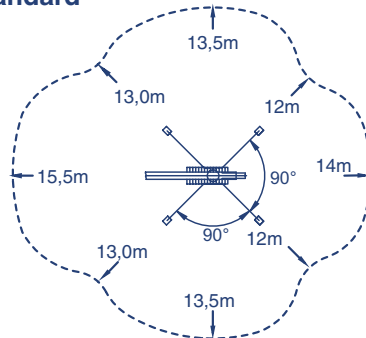
FALCON SPIDER FS420C

Reach diagram — Optimized position



Reach with outriggers in different positions

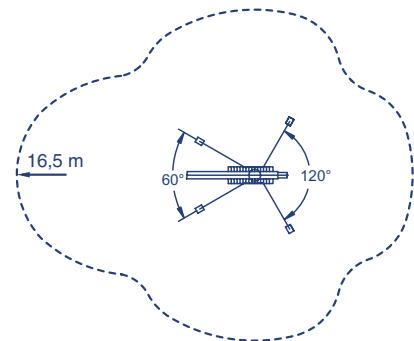
Standard



Basket load = 200kg

Measurements in meters

Optimized



Basket load = 100kg

WORLDLIFT INDUSTRIES AS

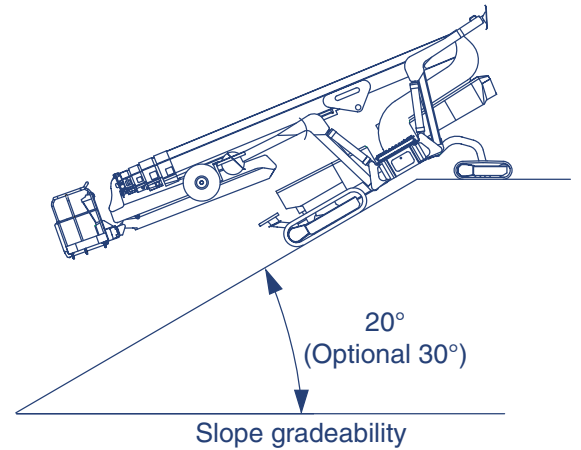
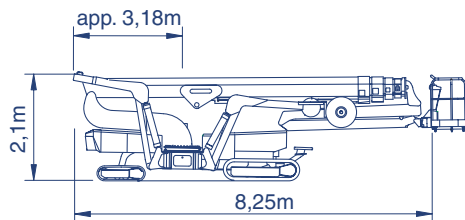
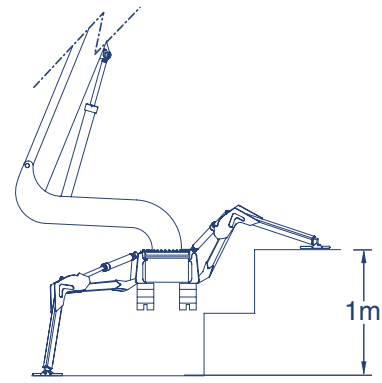
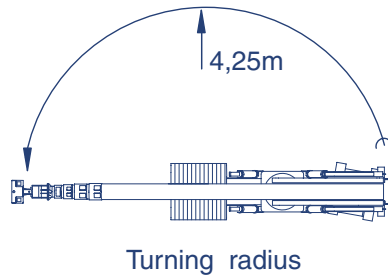
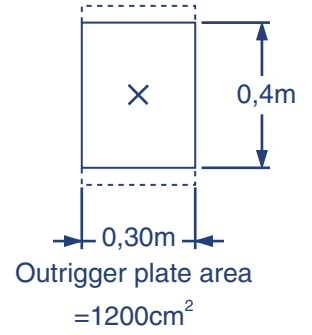
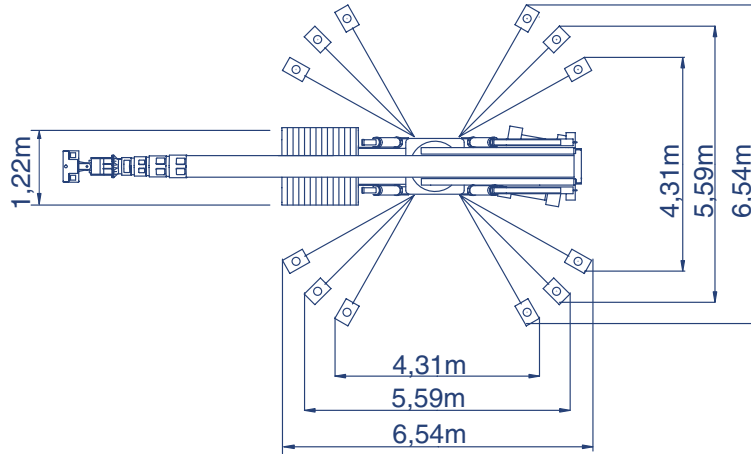
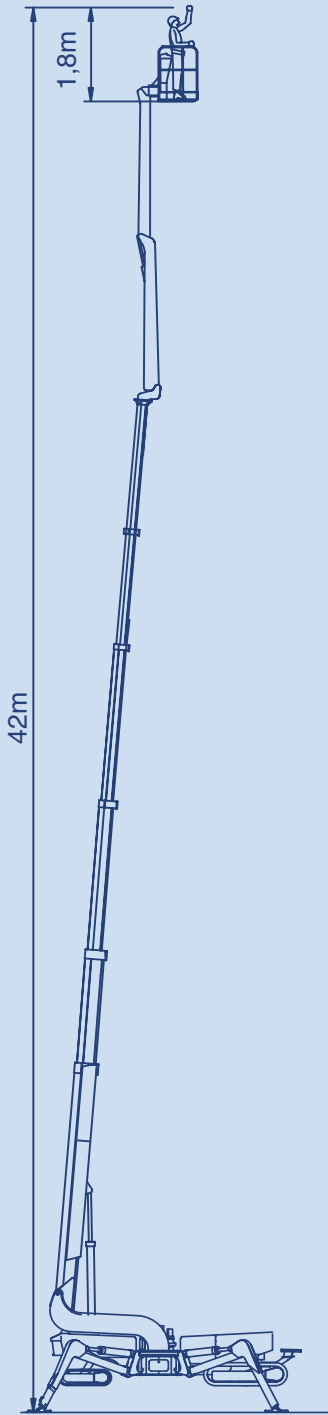
Tolderlundsvej 106
DK • 5000 Odense C
Tel.: +45 66 13 11 00
Fax: +45 66 13 03 19

www.wl-industries.com

All measurements are intended as guide. Choice of equipment may change the mentioned measurements



WORLDLIFT INDUSTRIES AS



Additional info:

Weight and ground pressure:

Weight with standard equipment	8200 kg
Surface pressure under crawlers (soft surface)	1,30 kg/cm ²
Surface pressure under crawlers (hard surface)	7,10 kg/cm ²
Max. ground pressure under 1 outrigger plate	3,10 kg/cm ²

As all our products are in a constant process of development we reserve the right to alterations

