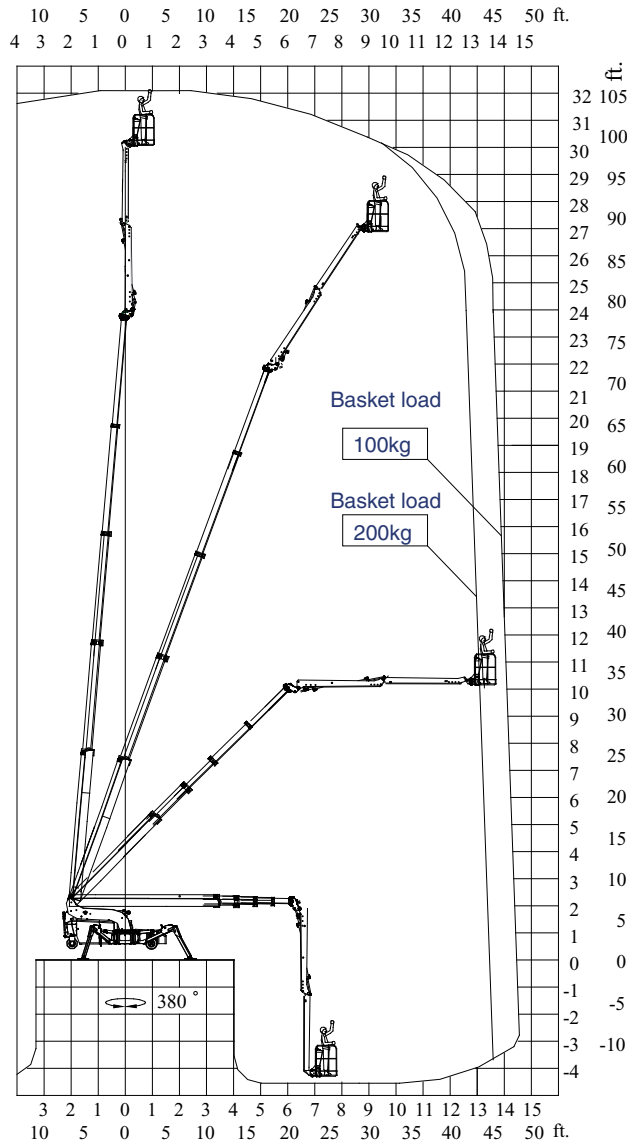
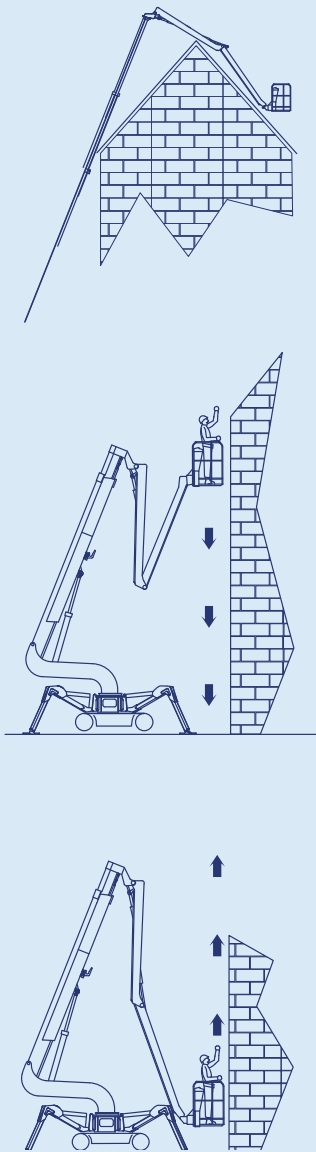


FALCON SPIDER FS320

Reach diagram — Optimized position

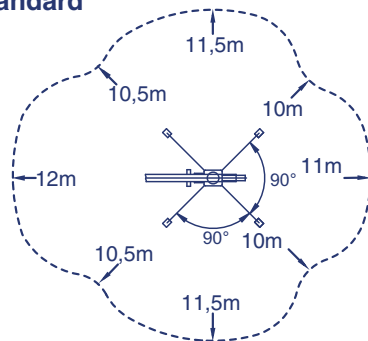


Reach with outriggers in different positions

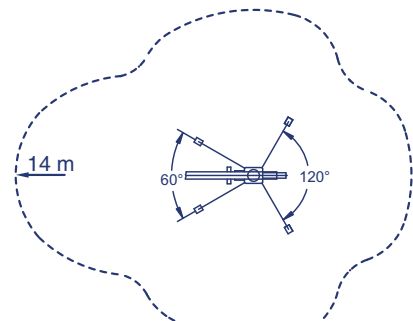
Standard

Measurements in meters

Optimized



Basket load = 200kg



Basket load = 100kg

**WORLDLIFT
INDUSTRIES AS**

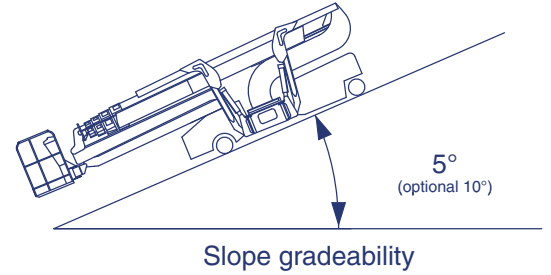
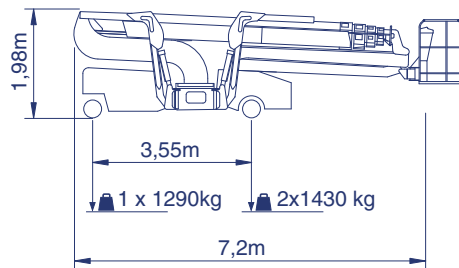
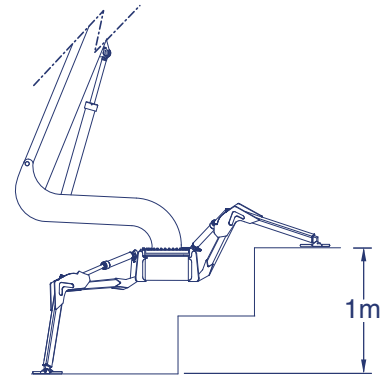
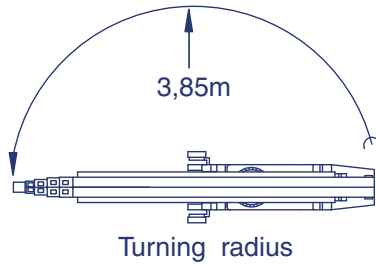
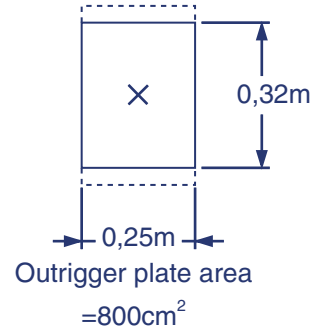
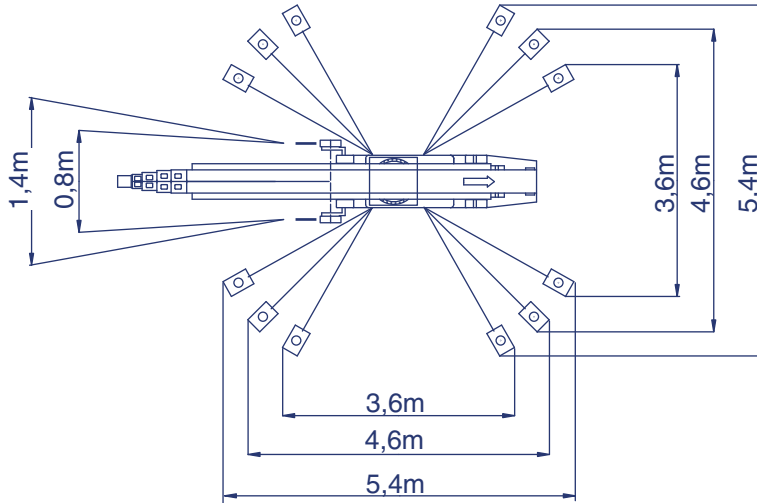
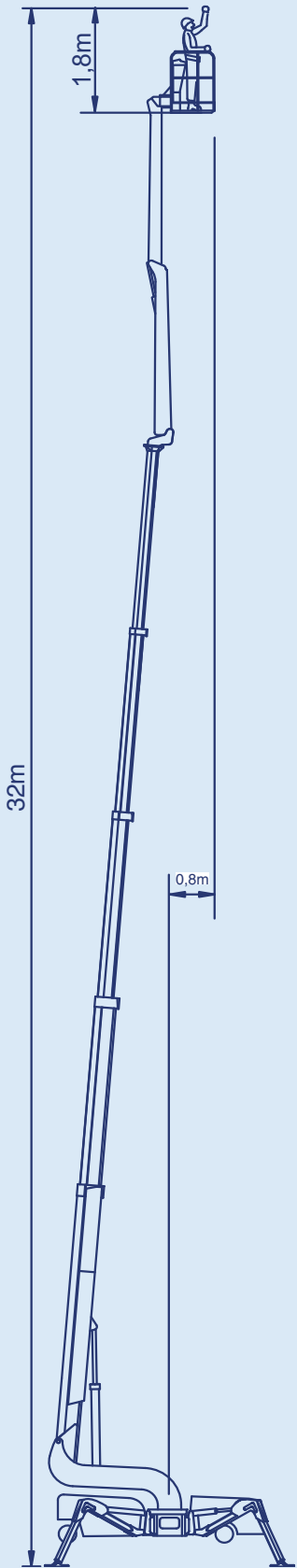
Tolderlundsvej 106
DK • 5000 Odense C
Tel.: +45 66 13 11 00
Fax: +45 66 13 03 19

www.wl-industries.com

All measurements are intended as guide. Choice of equipment may change the mentioned measurements



WORLDLIFT INDUSTRIES AS



Additional info:

Weight and ground pressure:

| | |
|--|-------------------------|
| Weight with standard equipment | 4150 kg |
| Max. ground pressure under 1 wheel | 8,0 kg/cm ² |
| Max. ground pressure under 1 outrigger plate | 2,9 kg/cm ² |
| Front wheel area (depending on wheel type) | 1 x 170 cm ² |
| Rear wheel area (depending on wheel type) | 2 x 179 cm ² |

As all our products are in a constant process of development we reserve the right to alterations



Technical data for FS320

| | |
|--------------------------------|---|
| Max basket load | 200 kg/440 lb (2 persons of 85 kg/187 lb + 30 kg/66 lb. extra equipment) |
| Telescopic functions | |
| Boom stages: | 4 |
| Telescopic stroke: | 16 m (Approx.) |
| Main boom | |
| Movement: | 88° (-3° to + 85°) |
| Turret | |
| Rotation: | 380° (standard). |
| Rotations system: | Hydraulic motor, planetary gear. |
| Jib | |
| Length: | 3 m |
| Rotations angle: | 180° |
| Basket Jib | |
| Length: | 3 m |
| Rotations angle: | 180° |
| Basket | |
| Rotations angle: | 2 x 90° (available as optional) |
| Outriggers | |
| Adjustment: | Manually horizontally |
| Setting: | hydraulic cylinder jack |
| Option equipment: | Operating the platform from the basket |
| Track gauge: | Adjustable in 4 positions 0,79 m. – 1,02 m. - 1,20 m. - 1,40 m. |
| Loading/unloading truck | |
| Max. load height approx. | 1125 mm |
| Max. load width approx. | 3000 mm |
| Power supply | |
| | 230V AC, 50/60 Hz, min.10 Amp. (Recommended 13 Amp.) |
| Power unit | |
| Standard: | 24V DC motor |
| Option: | Hatz Diesel Engine |
| Option: | Honda Generator |
| Batteries | 4 pcs. maintenance free batteries, (Option 4 - 8 extra pcs.) Type Dryfit Traction block 6-180 6V 180Ah (power unit) 1 pcs. of maintenance free battery, VARTA 12V (Diesel engine) |

Driving unit

| | |
|---------------------------|------------------------------------|
| Fast speed forwards | 1,5 km/h (Approx.) |
| Slow speed forward | 0,9 km/h (Approx.) |
| Fast speed reverse | 1,5 km/h (Approx.) |
| Slow speed reverse | 0,9 km/h (Approx.) |
| Max. gradient (standard): | Approx. 9%/5° |
| Max. gradient (Option): | With 2 wheel drive approx. 18%/10° |

Self-propelled range:

Max distance reached by self-propelled SPIDER, on battery power (fully charged) on level hard surface: 1800 m.

Safety systems

| | |
|--------------------------------|---|
| Stability/overload: | Measurement of load/pressure on outriggers |
| Hydraulic safety: | Pilot check valve |
| Overload main boom protection: | Main boom deflection measurement |
| Slope alarm (Option): | Acoustic signal if chassi is out of level according to horizontal |
| Cross axis: | 4° |
| Length axis: | 8° |

| | |
|---------------------|---|
| Chain fault: | Red indicator lights up at the control panels, if chain breaks or faults. |
| Emergency lowering: | Secondary electrical system and manual hand pump. |

Emergency lowering.

Secondary electrical system and manual hand pump

REMARK

Data can have a deviation at each single platform due to production tolerances.

WARNING

Do not use the platform without reading and following the instructions carefully. Failing to comply with the correct operating procedures and safety instruction, can because for injury or death.

ALWAYS READ OPERATORS MANUAL BEFORE USE!