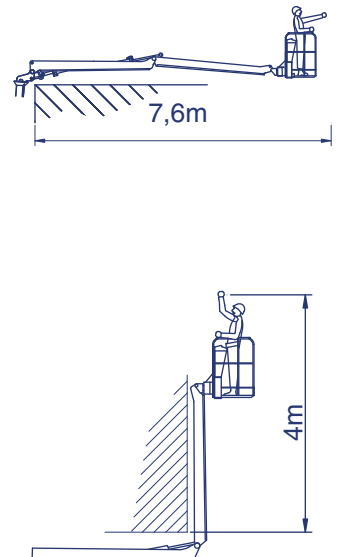
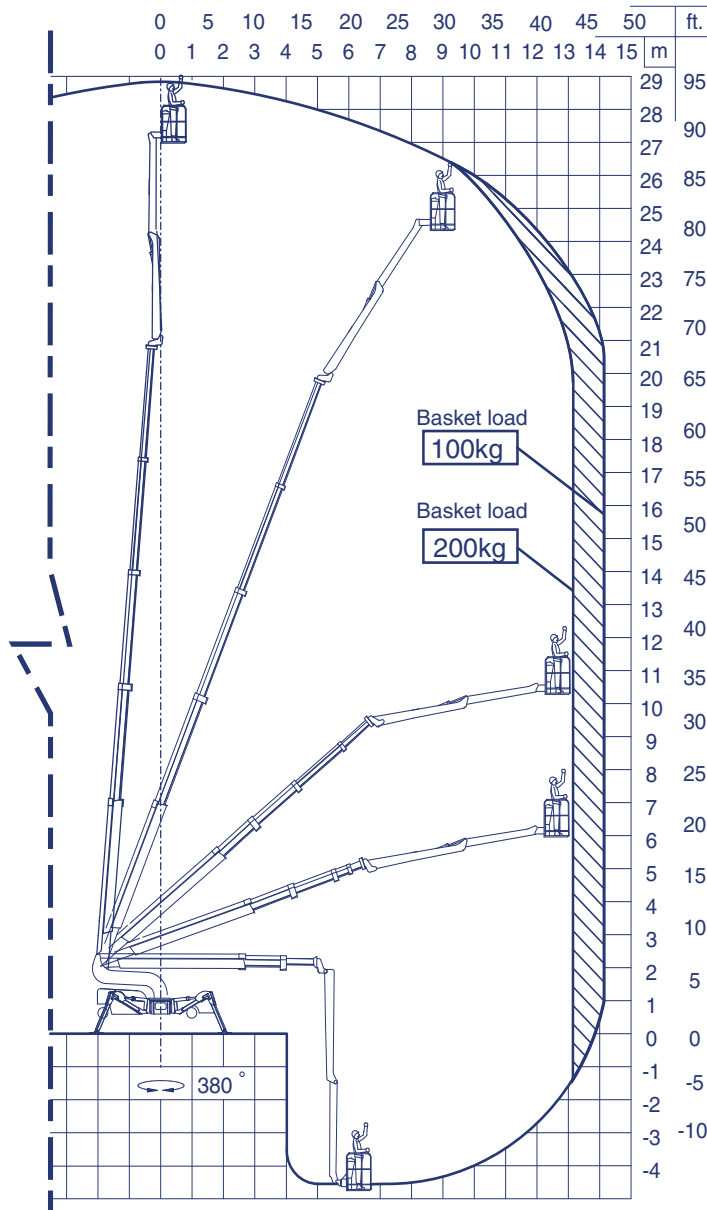
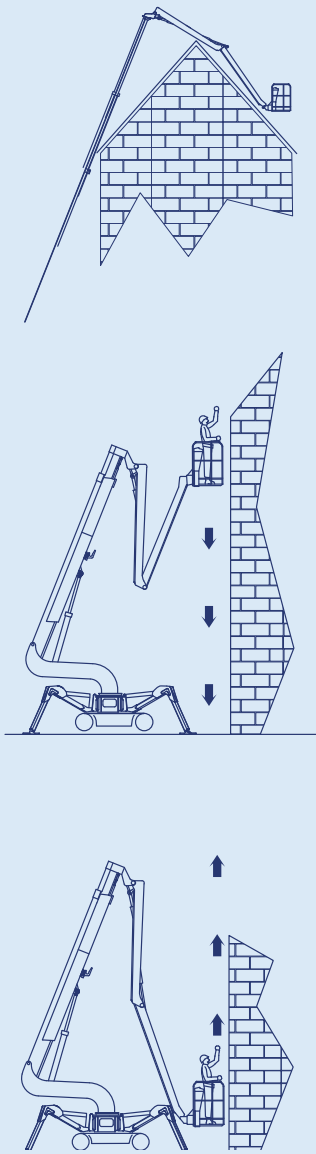


# FALCON SPIDER FS290

## Reach diagram — Optimized position

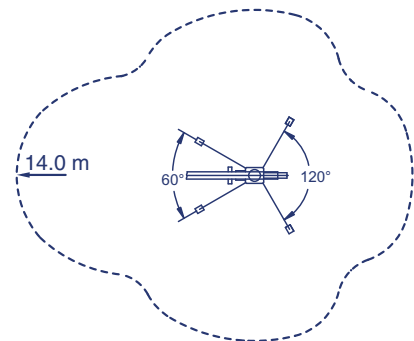
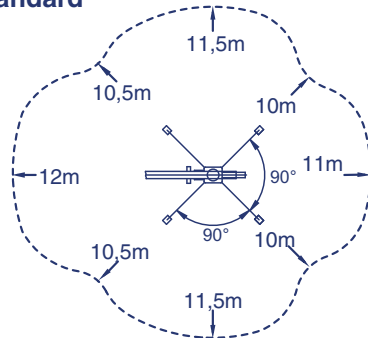


## Reach with outriggers in different positions

Standard

Measurements in meters

Optimized



Basket load = 200kg

Basket load = 100kg

All measurements are intended as guide. Choise of equipment may change the mentioned measurements

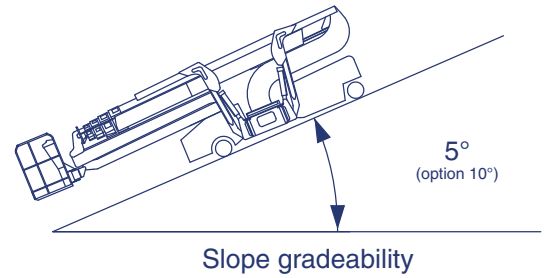
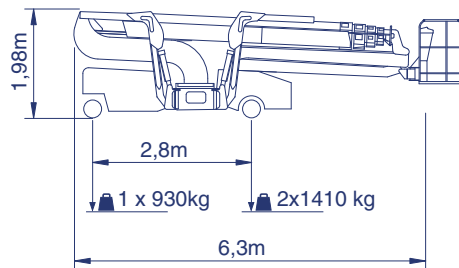
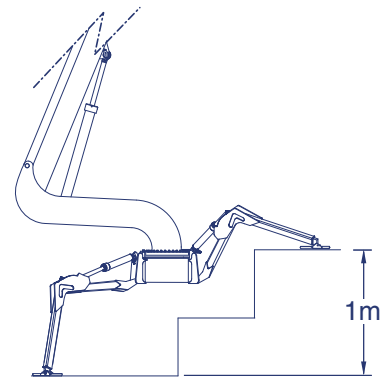
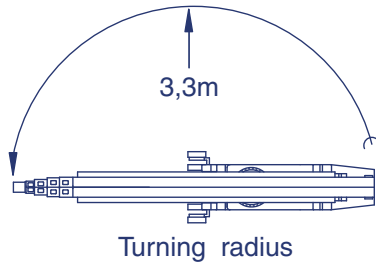
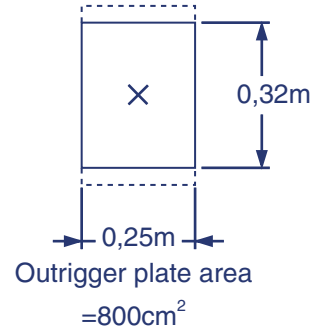
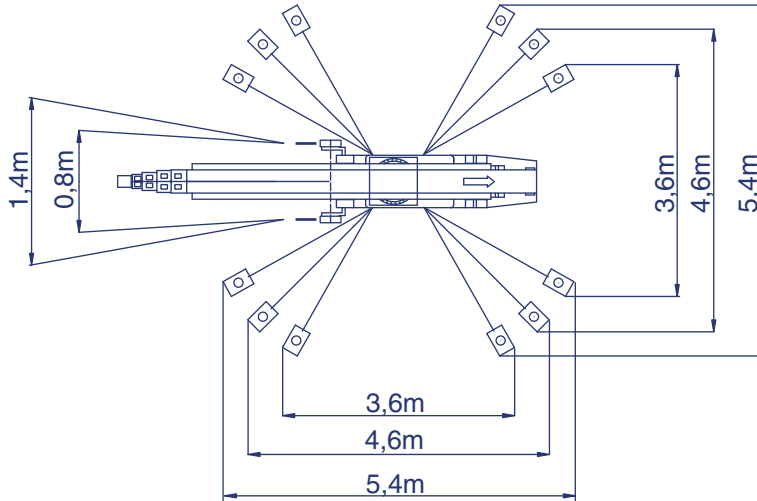
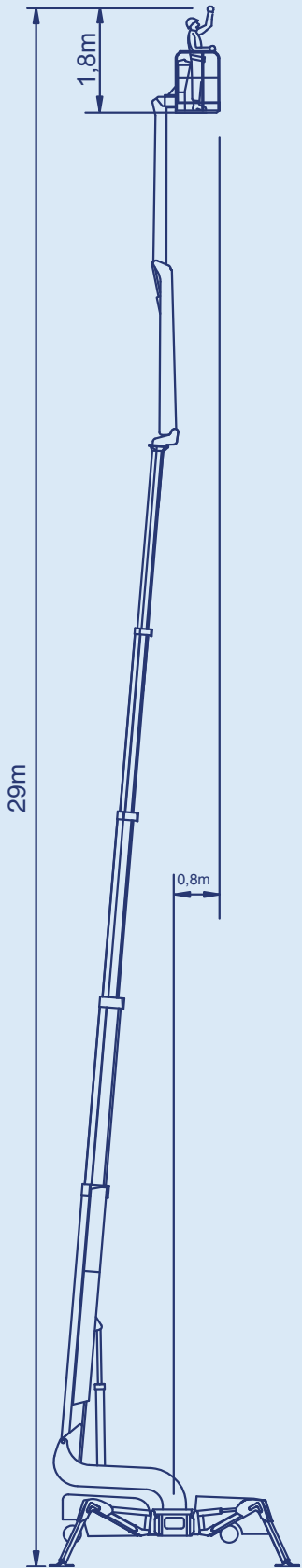
WORLDLIFT  
INDUSTRIES AS

Tolderlundsvej 106  
DK • 5000 Odense C  
Tel.: +45 66 13 11 00  
Fax: +45 66 13 03 19

[www.wl-industries.com](http://www.wl-industries.com)



WORLDLIFT INDUSTRIES AS



## Additional info:

### Weight and ground pressure:

Weight with standard equipment	3750 kg
Max. ground pressure under 1 wheel	8,2 kg/cm <sup>2</sup>
Max. ground pressure under 1 outrigger plate	2,4 kg/cm <sup>2</sup>
Front wheel area (depending on wheel type)	1 x ~ 140cm <sup>2</sup>
Rear wheel area (depending on wheel type)	2 x ~ 172 cm <sup>2</sup>

As all our products are in a constant process of development we reserve the right to alterations



## Technical data for FS290

<b>Max basket load</b>	<b>200 kg/440 lb</b> (2 persons of 85 kg/187 lb + 30 kg/66 lb. extra equipment)
<b>Telescopic functions</b>	
Boom stages:	4
Telescopic stroke:	13,5 m (Approx.)
<b>Main boom</b>	
Movement:	88° (-3° to + 85°)
<b>Turret</b>	
Rotation:	380° (standard).
Rotations system:	Hydraulic motor, planetary gear.
<b>Jib</b>	
Length:	3 m
Rotations angle:	180°
<b>Basket Jib</b>	
Length:	3 m
Rotations angle:	180°
<b>Basket</b>	
Rotations angle:	2 x 90° (available as optional)
<b>Outriggers</b>	
Adjustment:	Manually horizontally
Setting:	hydraulic cylinder jack
Option equipment:	Operating the platform from the basket
Track gauge:	Adjustable in 4 positions 0,79 m. – 1,02 m. - 1,20 m. - 1,40 m.
<b>Loading/unloading truck</b>	
Max. load height approx.	1180 mm
Max. load width approx.	3000 mm
<b>Power supply</b>	
	230V AC, 50/60 Hz, min.10 Amp. (Recommended 13 Amp.)
<b>Power unit</b>	
Standard:	24V DC motor
Option:	Hatz Diesel Engine
Option:	Honda Generator
<b>Batteries</b>	4 pcs. maintenance free batteries, (Option 4 - 8 extra pcs.)
	Type Dryfit Traction block 6-180 6V 180Ah (power unit)
	1 pcs. of maintenance free battery, VARTA 12V (Diesel engine)

**Driving unit**

Slow speed forward	0,9 km/h (Approx.)
Fast speed reverse	1,5 km/h (Approx.)
Slow speed reverse	0,9 km/h (Approx.)
Max. gradient (standard):	Approx. 9%/5°
Max. gradient (Option):	With 2 wheel drive approx. 18%/10 .

**Self-propelled range:**

Max distance reached by self-propelled SPIDER, on battery power (fully charged) on level hard surface: 1800 m.

**Safety systems**

Stability/overload:	Measurement of load/pressure on outriggers
Hydraulic safety:	Pilot check valve
Overload main boom protection:	Main boom deflection measurement
Slope alarm (Option):	Acoustic signal if chassi is out of level according to horizontal
Cross axis:	4°
Length axis:	8°

Emergency lowering: Secondary electrical system and manual hand pump.

**Emergency lowering.**

Secondary electrical system and manual hand pump

**REMARK**

Data can have a deviation at each single platform due to production tolerances.

**WARNING**

**Do not use the platform without reading and following the instructions carefully.**

**Failing to comply with the correct operating procedures and safety instruction, can because for injury or death.**

**ALWAYS READ OPERATORS MANUAL BEFORE USE!**