

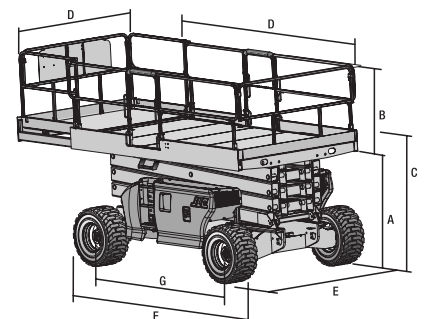
ROUGH TERRAIN SCISSOR LIFTS

	3394RT	4394RT
Platform Height – Elevated	10.05 m	13.10 m
A. Platform Height – Lowered	1.57 m	1.79 m
B. Platform Railing Height	1.10 m	1.10 m
C. Stowed Height (Rails Folded)	1.97 m	2.19 m
D. Platform Size	2.18 m x 3.81 m	2.18 m x 3.81 m
Front Deck Extension	1.22 m	1.22 m
Rear Deck Extension	1.22 m	1.22 m
E. Overall Width	2.39 m	2.39 m
F. Overall Length ¹	3.81 m	3.81 m
G. Wheelbase	2.95 m	2.95 m
Ground Clearance	0.30 m	0.30 m
Platform Capacity	1,020 kg	680 kg
Capacity with Optional Deck Extension	905 kg	565 kg
Capacity on Optional Deck Extension	225 kg	225 kg
Lift/Lower Time	30/30 sec.	40/43 sec.
Maximum Drive Height	10.05 m	13.10 m
Gross Vehicle Weight ²	5,850 kg	6,900 kg
Drive Speed 2WD	–	–
Drive Speed 4WD	6.4 km/h	6.4 km/h
Gradeability 2WD	–	–
Gradeability 4WD	45%	45%
Turning Radius – Inside	2.71 m	2.71 m
Turning Radius – Outside	5.93 m	5.93 m
Axle Oscillation	0.20 m	0.20 m
Tyres	33/1550 x 16.5 Foam Filled	33/1550 x 16.5 Foam Filled
Diesel Engine	34 kW Deutz F3M1011F	34 kW Deutz F3M1011F
Fuel Tank Capacity	113 L	113 L
Hydraulic Reservoir	151 L	151 L

¹ Overall length with optional leveling jacks is 4.75 m.

² Certain options or country standards will increase weight.

Specifications may change to meet country standards or with the addition of optional equipment.



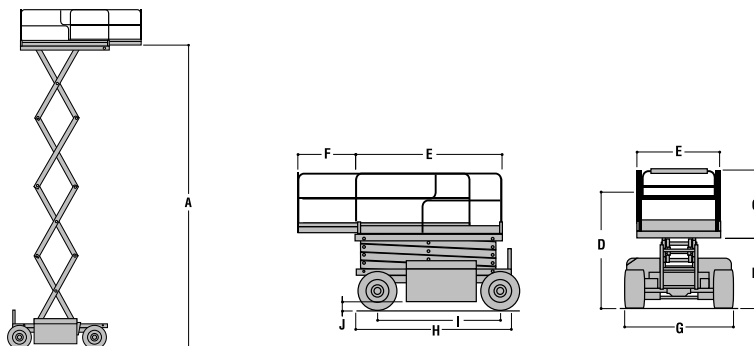
MINI ROUGH TERRAIN SCISSOR LIFTS

260MRT

A. Platform Height – Elevated	7.92 m
B. Platform Height – Lowered	1.26 m
C. Platform Railing Height	1.10 m
D. Stowed Height (Rails Folded)	1.47 m
E. Platform Size	1.65 m x 2.59 m
F. Deck Extension	1.22 m
G. Overall Width	1.75 m
H. Overall Length	2.67 m
I. Wheelbase	1.98 m
J. Ground Clearance	0.20 m
Platform Capacity	570 kg
Capacity on Deck Extension	140 kg
Lift/Lower Time	27/21 sec.
Maximum Drive Height	7.92 m
Gross Vehicle Weight ¹	3,700 kg
Drive Speed – Lowered	5.6 km/h
Drive Speed – Elevated	0.6 km/h
Gradeability	35%
Turning Radius – Inside	2.13 m
Turning Radius – Outside	3.88 m
Tyres	26 x 12 Lug Tread
Brakes	Spring Applied Hydraulic
Power Source	Kubota 905 19.4 kW
Fuel Tank Capacity	28.4 L
Hydraulic Reservoir	56.9 L

¹ Certain options or country standards will increase weight.

Specifications may change to meet country standards or with the addition of optional equipment.



P R E L I M I N A R Y S P E C I F I C A T I O N S

- Working height from 17 m to 34 m
- Hydraulic extension deck
- NIVOLUX outrigger system
- Slope sensor
- Scissor Arm Guards (within chassis frame)
- Removable control box
- Fold-down railings
- Hydraulic brakes
- Proportional drive control
- Motor diagnosis system



The LIFTLUX Triple scissor arm design provides the elevated platform with a unique stiffness & lateral rigidity. The machine provides more comfort for the user, and an increased work load capacity.



Most units have a big single hydraulic extension deck to increase work space (up to 7.2 m), providing more outreach than some twin decks (up to 2.85 m).



LIFTLUX machines are delivered with standard 4 wheel drive, differential lock and wide foam filled tyres for improved rough terrain capability.



The NIVOLUX outrigger device allows a +/- 0.1° automatic self-leveling of the unit on slopes and uneven ground, reducing the time taken to position the machine.



JLG Industries, Inc.
 Kilmartin Place, Tannochside Park,
 Uddingston, G71 5PH, Scotland,
 United Kingdom
 Tel: +44 (0) 1698 811005
 Fax: +44 (0) 1698 811055
 e-mail address: europe@jlg.com



www.jlg.com

P R E L I M I N A R Y S P E C I F I C A T I O N S

LIFTLUX SCISSOR LIFTS

	153-22	203-24	210-25	245-12	245-25	260-25	320-30
Platform Height - Elevated	15.30 m	20.30 m	21.00 m	24.50 m	24.50 m	26.00 m	32.00 m
Platform Height - Lowered	2.25 m	2.66 m	3.00 m	3.10 m	3.10 m	3.10 m	3.55 m
Platform Railing Height	1.10 m	1.10 m	1.10 m	1.10 m	1.10 m	1.10 m	1.10 m
Stowed Height (Rails Folded)	2.54 m	2.96 m	3.00 m	3.10 m	3.16 m	3.10 m	3.50 m
Platform size	2.20 m x 4.35 m	2.30 m x 4.35 m	2.50 m x 5.35 m	1.17 m x 5.10 m	2.50 m x 5.35 m	2.50 m x 6.50 m	2.90 m x 7.85 m
Platform Length fully extended	7.20 m	7.20 m	7.55 m	7.54 m	7.55 m	9.60 m	11.00 m
Overall Width	2.26 m	2.40 m	2.50 m	1.24 m	2.50 m	2.50 m	3.00 m
Overall Length	4.52 m	4.80 m	5.74 m	5.37 m	5.74 m	6.88 m	8.40 m
Wheelbase	3.00 m	3.13 m	3.90 m	3.93 m	3.90 m	4.75 m	5.90 m
Ground Clearance	0.28 m	0.30 m	0.30 m	0.20 m	0.30 m	0.40 m	0.45 m
Platform Capacity	750 kg	750 kg	1,000 kg	600 kg	750 kg	1,000 kg	1,400 kg
Capacity on Deck Extension	500 kg	500 kg	750 kg	600 kg	750 kg	1,000 kg	1,000 kg
Lift/Lower Time	40 / 55 sec	60 / 50 sec	85 / 80 sec	125 / 120 sec	90 / 70 sec	70 / 80 sec	116 / 120 sec
Maximum Drive Height	15.30 m	17.00 m	21.00 m	14.00 m	21.00 m	21.00 m	20.00 m
Deck Extension	Hydraulic	Hydraulic	Hydraulic	Hydraulic	Hydraulic	Hydraulic	Hydraulic
Gross Vehicle Weight ¹	9,060 kg	11,400 kg	14,800 kg	15,350 kg	16,300 kg	24,700 kg	39,800 kg
Drive Speed - 2WD	3.8 km/h	3.8 km/h	2.8 km/h	2.0 km/h	2.8 km/h	3.0 km/h	3.0 km/h
Drive Speed - 4WD	1.5 km/h	1.5 km/h	1.5 km/h	1.5 km/h	1.5 km/h	1.5 km/h	1.5 km/h
Drive Speed - Elevated	0.8 km/h	0.5 km/h	0.5 km/h	0.5 km/h	0.5 km/h	0.5 km/h	0.5 km/h
Gradeability	35%	30%	25%	25%	25%	35%	20%
Turning Radius - Inside	0.70 m	0.70 m	1.25 m	0.65 m	1.25 m	1.50 m	1.85 m
Turning Radius - Outside	4.80 m	4.80 m	6.0 m	4.30 m	6.00 m	7.00 m	8.70 m
Axle Oscillation	—	—	0.15 m	—	0.15 m	0.13 m	0.13 m
Tyres	14 x 17.5	14 x 17.5	20 x 46 x 16 315/80 R22.5	28 x 10 x 22	20 x 46 x 16 315/80 R22.5	13.00 - 20 A	54 x 21.0 - 24
Diesel Engine	27.5 kW Deutz F3L1011	27.5 kW Deutz F3L1011	37 kW Deutz F4L1011	22.5 kW Deutz F4M1008 F	37 kW Deutz F4L1011	48.5 kW Deutz BF4L2011	78 kW Deutz F6L912
Fuel Tank Capacity	90 L	135 L	90 L	60 L	90 L	90 L	200 L
Hydraulic Reservoir	135 L	135 L	260 L	135 L	260 L	450 L	450 L

¹ Certain options or country standards will increase weight.

Specifications may change to meet country standards or with the addition of optional equipment.