

# ELECTRIC ARTICULATING BOOM LIFTS

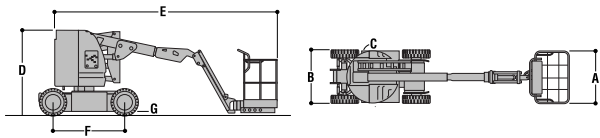
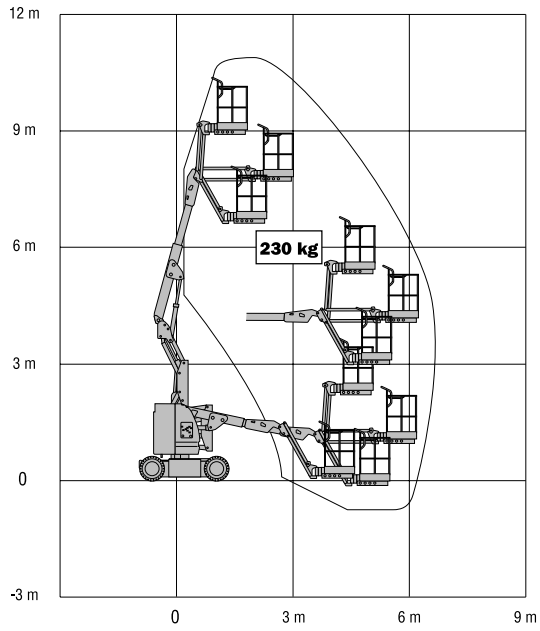
	<b>E300AJ</b>	<b>E300AJP</b>
Platform Height	9.14 m	9.14 m
Horizontal Outreach	6.10 m	6.25 m
Up and Over Height	3.99 m	3.99 m
Swing (non-continuous)	360°	360°
Platform Capacity – Unrestricted	230 kg	230 kg
Platform Rotator (Hydraulic)	180°	180°
Jib – Overall Length	1.24 m	1.24 m
Jib - Range of articulation	141° Vertical (+86° / -55°)	141° Vertical (+86° / -55°)
JibPLUS™ - Range of Articulation	—	180° Horizontal
A. Platform Size	0.76 m x 1.22 m	0.76 m x 1.22 m
B. Overall Width	1.22 m	1.22 m
C. Tailswing (working condition)	Zero	Zero
D. Stowed Height	2.01 m	2.01 m
E. Stowed Length	5.44 m	5.59 m
F. Wheelbase	1.65 m	1.65 m
G. Ground Clearance	0.10 m	0.10 m
Gross Vehicle Weight <sup>1</sup>	6,735 kg	7,052 kg
Drive Speed	4.8 km/h	4.8 km/h
Gradeability	25%	25%
Tyres	7.5 x 12.5 Non marking	7.5 x 12.5 Non marking
Turning Radius – Inside	1.52 m	1.52 m
Turning Radius – Outside	3.10 m	3.10 m
Electrical System	48V DC	48V DC
Batteries	8 x 6V 370 A/hr	8 x 6V 370 A/hr
Drive Motors	Dual Electric Traction	Dual Electric Traction
Brakes	Automatic Spring Applied	Automatic Spring Applied
Hydraulic Motor	Perm. Magnet	Perm. Magnet
Hydraulic Pump	Gear Pump	Gear Pump
Hydraulic Reservoir	11.4 L	11.4 L

<sup>1</sup> Certain options or country standards will increase weight.

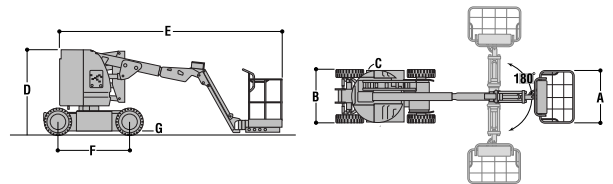
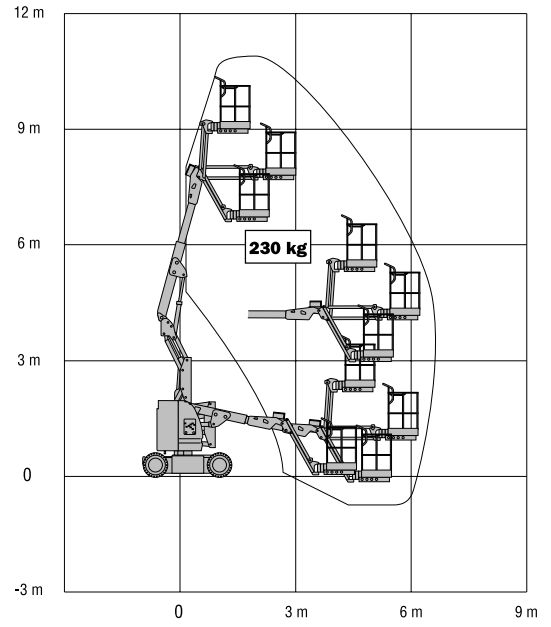
Specifications may change to meet country standards or with the addition of optional equipment.



# JLG MODEL E300AJ



# JLG MODEL E300AJP



# ELECTRIC ARTICULATING BOOM LIFTS

	<b>E400A</b>	<b>M400A</b>	<b>E400An</b>	<b>M400An</b>	<b>E400AJP</b>	<b>M400AJP</b>	<b>E400AJPn</b>	<b>M400AJPn</b>
Platform Height	12.19 m	12.19 m	12.19 m	12.19 m	12.19 m	12.19 m	12.19 m	12.19 m
Horizontal Outreach	6.45 m	6.45 m	6.45 m	6.45 m	6.83 m	6.83 m	6.83 m	6.83 m
Up and Over Height	6.55 m	6.55 m	6.55 m	6.55 m	6.55 m	6.55 m	6.55 m	6.55 m
Swing (non-continuous)	360°	360°	360°	360°	360°	360°	360°	360°
Platform Capacity - Unrestricted	230 kg	230 kg	230 kg	230 kg	230 kg	230 kg	230 kg	230 kg
Platform Rotator (Hydraulic)	180°	180°	180°	180°	180°	180°	180°	180°
Jib - Overall Length	—	—	—	—	1.24 m	1.24 m	1.24 m	1.24 m
Jib - Range of articulation	—	—	—	—	141° (+86°/-55°)	141° (+86°/-55°)	141° (+86°/-55°)	141° (+86°/-55°)
JibPLUS™ - Range of articulation	—	—	—	—	180° Horizontal	180° Horizontal	180° Horizontal	180° Horizontal
A. Platform Size	0.76 m x 1.22 m	0.76 m x 1.22 m	0.76 m x 1.22 m	0.76 m x 1.22 m	0.76 m x 1.22 m	0.76 m x 1.22 m	0.76 m x 1.22 m	0.76 m x 1.22 m
B. Overall Width	1.75 m	1.75 m	1.50 m	1.50 m	1.75 m	1.75 m	1.50 m	1.50 m
C. Tailswing (working condition)	Zero	Zero	0.13 m	0.13 m	Zero	Zero	0.13 m	0.13 m
D. Stowed Height	2.01 m	2.01 m	1.97 m	1.97 m	2.01 m	2.01 m	1.97 m	1.97 m
E. Stowed Length	5.51 m	5.51 m	5.51 m	5.51 m	6.71 m	6.71 m	6.71 m	6.71 m
F. Wheelbase	2.01 m	2.01 m	2.01 m	2.01 m	2.01 m	2.01 m	2.01 m	2.01 m
G. Ground Clearance	0.22 m	0.22 m	0.13 m	0.13 m	0.22 m	0.22 m	0.13 m	0.13 m
Gross Vehicle Weight <sup>1</sup>	6,037 kg	6,128 kg	5,942 kg	6,033 kg	6,214 kg	6,318 kg	6,759 kg	6,863 kg
Drive Speed	5.1 km/h	5.1 km/h	4.8 km/h	4.8 km/h	5.1 km/h	5.1 km/h	4.8 km/h	4.8 km/h
Gradeability	30%	30%	30%	30%	30%	30%	30%	30%
Tyres	240/55-17.5 Foam Filled	240/55-17.5 Foam Filled	25 x 7 x 12 Non marking	25 x 7 x 12 Non marking	240/55-17.5 Foam Filled	240/55-17.5 Foam Filled	25 x 7 x 12 Non marking	25 x 7 x 12 Non marking
Turning Radius - Inside	0.61 m	0.61 m	0.86 m	0.86 m	0.61 m	0.61 m	0.86 m	0.86 m
Turning Radius - Outside	3.15 m	3.15 m	3.15 m	3.15 m	3.15 m	3.15 m	3.15 m	3.15 m
Electrical System	48V DC	48V DC	48V DC	48V DC	48V DC	48V DC	48V DC	48V DC
Batteries	8 x 6V 370 A/hr	8 x 6V 370 A/hr	8 x 6V 370 A/hr	8 x 6V 370 A/hr	8 x 6V 370 A/hr	8 x 6V 370 A/hr	8 x 6V 370 A/hr	8 x 6V 370 A/hr
Drive Motors	Dual Electric Traction	Dual Electric Traction	Dual Electric Traction	Dual Electric Traction	Dual Electric Traction	Dual Electric Traction	Dual Electric Traction	Dual Electric Traction
Brakes	Automatic Spring Applied	Automatic Spring Applied	Automatic Spring Applied	Automatic Spring Applied	Automatic Spring Applied	Automatic Spring Applied	Automatic Spring Applied	Automatic Spring Applied
Hydraulic Motor	Perm. Magnet	Perm. Magnet	Perm. Magnet	Perm. Magnet	Perm. Magnet	Perm. Magnet	Perm. Magnet	Perm. Magnet
Hydraulic Pump	Gear Pump	Gear Pump	Gear Pump	Gear Pump	Gear Pump	Gear Pump	Gear Pump	Gear Pump
Hydraulic Reservoir	15 L	15 L	15 L	15 L	15 L	15 L	15 L	15 L
Generator Set - Fully Automatic	—	Yanmar Air-cooled 4 kW	—	Yanmar Air-cooled 4 kW	—	Yanmar Air-cooled 4 kW	—	Yanmar Air-cooled 4 kW
Generator Fuel Tank	—	15 L	—	15 L	—	15 L	—	15 L

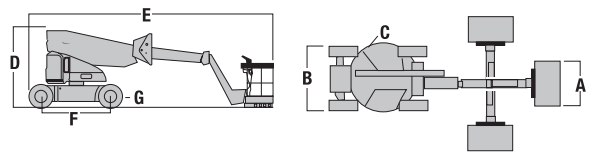
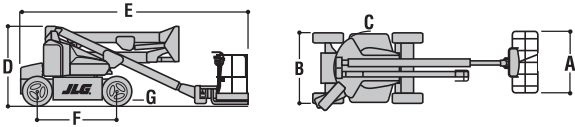
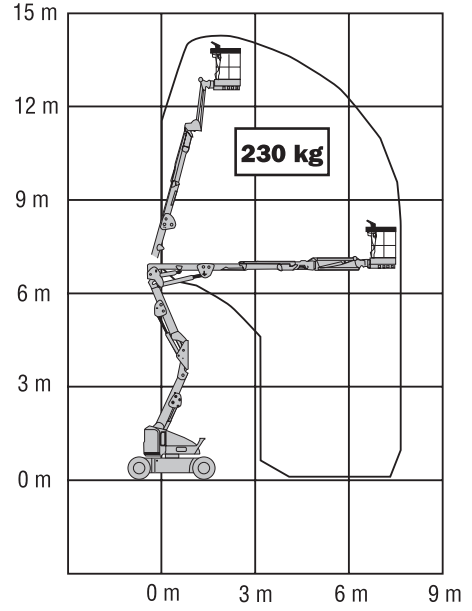
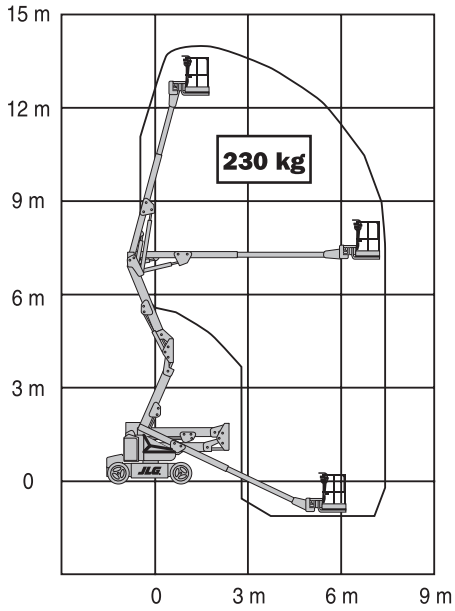
<sup>1</sup> Certain options or country standards will increase weight.

Specifications may change to meet country standards or with the addition of optional equipment.



# JLG MODELS E400A, M400A, E400An & M400An

# JLG MODELS E400AJP, M400AJP, E400AJPn & M400AJPn



# ELECTRIC ARTICULATING BOOM LIFTS

	<b>E450A</b>	<b>M450A</b>	<b>E450AJ</b>	<b>M450AJ</b>
Platform Height	13.72 m	13.72 m	13.72 m	13.72 m
Horizontal Outreach	7.04 m	7.04 m	7.24 m	7.24 m
Up and Over Height	7.49 m	7.49 m	7.70 m	7.70 m
Swing (non-continuous)	360°	360°	360°	360°
Platform Capacity – Unrestricted	230 kg	230 kg	230 kg	230 kg
Platform Rotator (Hydraulic)	180°	180°	180°	180°
Jib – Overall Length	—	—	1.24 m	1.24 m
Jib - Range of articulation	—	—	141° (+86°/ -55°)	141° (+86°/ -55°)
A. Platform Size	0.76 m x 1.52 m	0.76 m x 1.52 m	0.76 m x 1.52 m	0.76 m x 1.52 m
B. Overall Width	1.75 m	1.75 m	1.75 m	1.75 m
C. Tailswing (working condition)	Zero	Zero	Zero	Zero
D. Stowed Height	1.98 m	1.98 m	2.01 m	2.01 m
E. Stowed Length	5.82 m	5.82 m	6.45 m	6.45 m
F. Wheelbase	2.01 m	2.01 m	2.01 m	2.01 m
G. Ground Clearance	0.22 m	0.22 m	0.22 m	0.22 m
Gross Vehicle Weight <sup>1</sup>	5,940 kg	5,970 kg	6,670 kg	6,700 kg
Drive Speed	5.2 km/h	5.2 km/h	5.2 km/h	5.2 km/h
Gradeability	30%	30%	30%	30%
Tyres	240/55-17.5 Pneumatic	240/55-17.5 Pneumatic	240/55-17.5 Foam Filled	240/55-17.5 Foam Filled
Turning Radius – Inside	0.61 m	0.61 m	0.61 m	0.61 m
Turning Radius – Outside	3.15 m	3.15 m	3.15 m	3.15 m
Electrical System	48V DC	48V DC	48V DC	48V DC
Batteries	8 x 6V 370 A/hr	8 x 6V 370 A/hr	8 x 6V 370 A/hr	8 x 6V 370 A/hr
Drive Motors	Dual Electric Traction	Dual Electric Traction	Dual Electric Traction	Dual Electric Traction
Brakes	Automatic Spring Applied	Automatic Spring Applied	Automatic Spring Applied	Automatic Spring Applied
Hydraulic Motor	Perm. Magnet	Perm. Magnet	Perm. Magnet	Perm. Magnet
Hydraulic Pump	Gear Pump	Gear Pump	Gear Pump	Gear Pump
Hydraulic Reservoir	15 L	15 L	15 L	15 L
Generator Set - Fully Automatic	—	Yanmar Air-cooled 4 kW	—	Yanmar Air-cooled 4 kW
Generator Fuel Tank	—	15 L	—	15 L

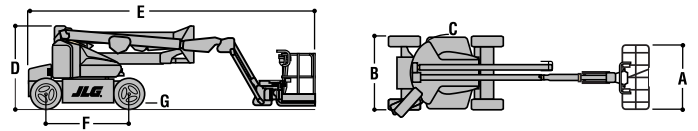
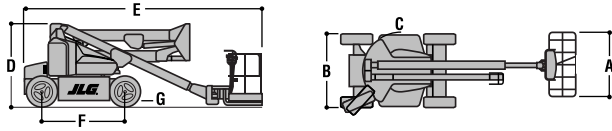
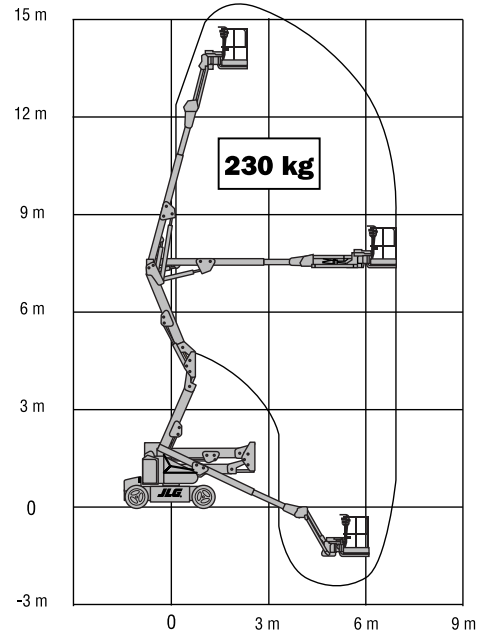
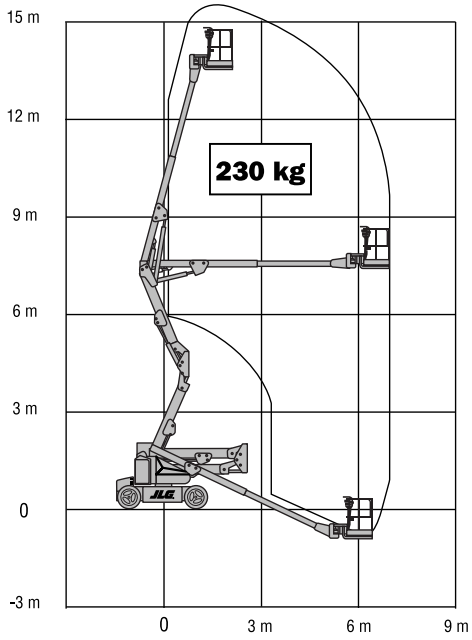
<sup>1</sup> Certain options or country standards will increase weight.

Specifications may change to meet country standards or with the addition of optional equipment.



# JLG MODELS E450A & M450A

# JLG MODELS E450AJ & M450AJ



# ELECTRIC BOOM LIFTS

	<b>E600J</b>	<b>M600J</b>	<b>E600JP</b>	<b>M600JP</b>
Platform Height	18.29 m	18.29 m	18.29 m	18.29 m
Horizontal Outreach	13.06 m	13.06 m	13.23 m	13.23 m
Swing (non-continuous)	400°	400°	400°	400°
Platform Capacity – Unrestricted	230 kg	230 kg	230 kg	230 kg
Platform Rotator (Hydraulic)	180°	180°	180°	180°
Jib – Overall Length	1.24 m	1.24 m	1.24 m	1.24 m
Jib - Range of articulation	141° Vertical (+86°/ -55°)	141° Vertical (+86°/ -55°)	141° Vertical (+86°/ -55°)	141° Vertical (+86°/ -55°)
JibPLUS™ - Range of Articulation	—	—	180° Horizontal	180° Horizontal
A. Platform Size	0.76 m x 1.83 m	0.76 m x 1.83 m	0.76 m x 1.83 m	0.76 m x 1.83 m
B. Overall Width	2.44 m	2.44 m	2.44 m	2.44 m
C. Tailswing (working condition)	1.22 m	1.22 m	1.22 m	1.22 m
D. Stowed Height	2.57 m	2.57 m	2.57 m	2.57 m
E. Stowed Length	9.37 m	9.37 m	9.91 m	9.91 m
F. Wheelbase	2.74 m	2.74 m	2.74 m	2.74 m
G. Ground Clearance	0.30 m	0.30 m	0.30 m	0.30 m
Gross Vehicle Weight <sup>1</sup>	6,900 kg	7,070 kg	7,000 kg	7,170 kg
Drive Speed	4.8 km/h	4.8 km/h	4.8 km/h	4.8 km/h
Gradeability	30%	30%	30%	30%
Tyres (pneumatic/non-marking)	36/14LL-22.5	36/14LL-22.5	36/14LL-22.5	36/14LL-22.5
Axle Oscillation (optional)	0.20 m	0.20 m	0.20 m	0.20 m
Turning Radius – Inside	1.22 m	1.22 m	1.22 m	1.22 m
Turning Radius – Outside	4.72 m	4.72 m	4.72 m	4.72 m
Electrical System	48V DC	48V DC	48V DC	48V DC
Batteries	8 x 6V 415 A/hr	8 x 6V 415 A/hr	8 x 6V 415 A/hr	8 x 6V 415 A/hr
Drive Motors	Dual Electric Traction	Dual Electric Traction	Dual Electric Traction	Dual Electric Traction
Brakes	Automatic Spring Applied	Automatic Spring Applied	Automatic Spring Applied	Automatic Spring Applied
Hydraulic Pump Motor	Perm. Magnet	Perm. Magnet	Perm. Magnet	Perm. Magnet
Hydraulic Pump	Gear Pump	Gear Pump	Gear Pump	Gear Pump
Hydraulic Reservoir	55 L	55 L	55 L	55 L
Generator Set - Fully Automatic	—	Yanmar Air-cooled 4.5 kW	—	Yanmar Air-cooled 4.5 kW
Generator Fuel Tank	—	50 L	—	50 L

<sup>1</sup> Certain options or country standards will increase weight.

Specifications may change to meet country standards or with the addition of optional equipment.



# JLG MODELS E600J, M600J, E600JP & M600JP

